

STEEL WINCH TRACK

Winch track for sliding winches, durable sliding for flatbed trailers with weld-on bottom mount application.

HIGH-STRENGTH SLIDING TRACK - The sliding winch track is made of durable high-quality steel that withstands the strongest tie down force and keeps sliding winches where they need to be when tying down cargo.

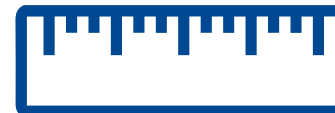
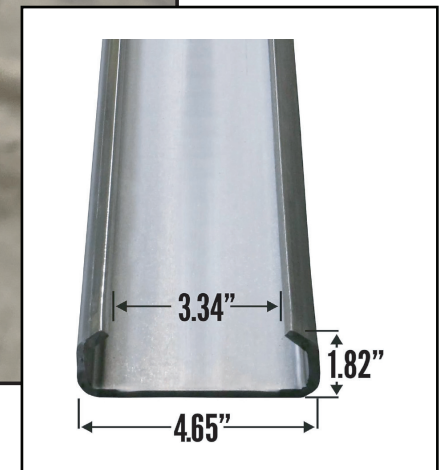
ADJUSTABLE FOR WINCHES - Sliding winches can be positioned anywhere along the tie down track for versatile placement and better cargo securement.

LOCKS IN PLACE - This trailer winch track holds the sliding winch in place while under tension for a safe and reliable tie down application.

WELD-ON APPLICATION - Weld the winch rail on beneath the flatbed trailer for permanent and secure placement.

EASY TO USE - This sliding winch track for flatbed trailer makes securing cargo much easier and more efficient than ever before.

STANDARD LENGTHS - 6 Feet
(Custom lengths available upon request)



**Custom cut-to-length
per customer request!**