



XCAL
TOOLS



TRENCHING

All Locations

XCAL TOOLS of Clare

314 E. 4th Street
Clare, MI 48617
Ph: (989) 386-5376

XCAL TOOLS of Madisonville

3957 Anton Road
Madisonville, KY 42431
Ph: (270) 825-BITS (2487)

XCAL TOOLS of South Point

235 Commerce Drive
South Point, OH 45680
Ph: (740) 377-3354
Fax: (740) 377-3363

XCAL Industries

843 Lochgelly Road
Oak Hill, WV 25901
Ph: (304) 469-4721
Fax: (304) 469-4750

XCAL TOOLS of Beckley

256 Industrial Drive
Oak Hill, WV 25901
Ph: (304) 465-0651
Fax: (304) 465-5244

XCAL TOOLS of Bristol

15020 Industrial Park Road
Bristol, VA 24202
Ph: (276) 644-3520
Fax: (276) 644-3523





SUPERIOR QUALITY

XCAL TOOLS takes pride in manufacturing and selling a full line of road planing, soil stabilization, reclaiming, grading, trenching and foundation drilling bits and carbide tooling products that are American-made. Our inhouse operations gives us the flexibility to quickly test and adapt to changing environments and customer needs. Our cost effective production methods, allows us to provide a exceptional product of the highest quality.



SERVICE AND INNOVATION

For over 20 years, our carbide producer XCAL INDUSTRIES, has been producing high quality carbide for the mining, roof drilling, snow and ice removal, road planing, wear products and metal cutting blanks, producing over fifty grades of cemented carbide and the capability to develop extra coarse, tougher grades to meet the demands of the industry.

These affiliates of JENNMAR, in collaboration with each other, can provide you with superior quality products and unmatched customer service. Our commitment to the customer is guided by three words; SAFETY, SERVICE, and INNOVATION. It's these words that form the foundation of our business. It's who we are.



Table of Contents

TRENCHING

CARBIDE TIPS.....	8
THE HYBRID DIFFERENCE.....	9
ACCESSORIES.....	27

18MM

TB01C	10
TB01	10
TB03	10
TB73	10
B18L45	10
B18H45	10
B18HT45	10

19MM

TC403L.....	11
TC403.....	11
TC473L.....	11
TC473.....	11
B19L45	11
B19H45	11
B19HT45.....	11

22MMS

TJ401	12
TJ403	12
TJ474	12
TJ401L	13
TJ403L.....	13
TJ474L	13
TJ486L.....	13
B22NR45	12-13
B22H45	12-13
B22HT45	12-13

25MM

DR35.....	14
DR73.....	14
DR74.....	14
DR75.....	14
DRW74	15
DRW75	15
DRW76	15
TR74.....	16
TR75	16
TR76.....	16
TR03	17
TR23	17

TR39	17
TR56	17
TRG74	18
TRG75	18
B25HN45.....	14-18
B25H45	14-18
B25H50S.....	14-18
B25H50L	14-18

38X30MM

TX23	19
TX39	19
TX74	19
TX75	19
TX76	19
TXF20.....	20
TXF39.....	20
TXF56.....	20
TXF74	20
TXF74P	20
TXF75.....	21
TXF76.....	21
TXF78.....	21
TXV74	22
TXV74P.....	22
TXV75	22
TXV76	22
TXV78	22
TX39K	23
TX75K	23
TX76K	23
TXF20K.....	24
TXF39K.....	24
TXF74K	24
TXF74KP	24
TXF75K.....	25
TXF76K.....	25
TXF78K.....	25
TXV39K	26
TXV74KP.....	26
TXV75K	26
TXV76K	26
TXV78K.....	26
B38H50S.....	19-26
B38H50L	19-26
B38HD50S	19-26
B38HD50L.....	19-26

Carbide Tips

We are an ISO 9001 certified facility that offers a wide range of carbide tips to match the various challenges that you might face. Producing over fifty grades of cemented carbide and the ability to create new ones, we can find a carbide grade to meet your needs. Our versatility helps us to check and respond easily to evolving conditions and customer needs. All of our tips provide superb penetration and maximum productivity – regardless of whether you work in soft, medium-hard or extremely hard and demanding conditions.



Retainers Selection

Our retainer selection keeps tool changes quick and reduces your downtime



Proudly made in the U.S.A.

The Hybrid Difference

XCAL TOOLS hybrid design gives you a blend of the efficient cutting characteristics of our CAP designs, combined with the durability and long life of a plug tip. Our design provides excellent penetration while retaining maximum strength, shear resistance and durability in challenging conditions, improves safety, efficiency and working conditions— leading to increased performance, productivity and lowered production costs.



Cap Carbide Tips

For superior penetration: the larger carbide shoulder provides excellent protection against steel wash.

Insert Carbide Tips

For high-impact conditions, or working with hard materials where steel wash is not an issue.

The Hybrid Carbide Tip

The tapered bottom design provides more strength where it's needed most, helping to prevent carbide fracture.



Cap Carbide Tips

Valve seat carbide tips are preferred over flat bottom tips providing a stronger bond between the carbide and steel giving more stability and support in highly abrasive conditions.



Insert Carbide Tips

Insert carbide tips are best for penetration applications where steel wash is not an issue. These tips provide a strong bond between carbide and steel giving more stability and support proving ideal for use in hard, high-impact conditions.



Hybrid Carbide Tips

Hybrid tips were developed for all cutting requirements – no matter how tough. You won't need to switch tools when your conditions change.



Wide-Top Carbide Tips

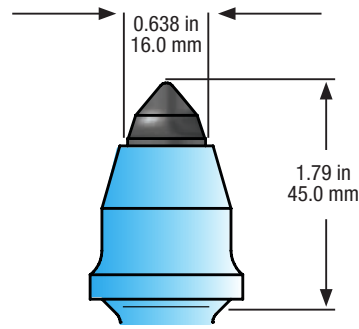
Wide-Top tip combines the abrasive resistance of a cap tip with the impact resistance of a plug tip to maximise strength and steel support for ultimate durability in the most challenging conditions.



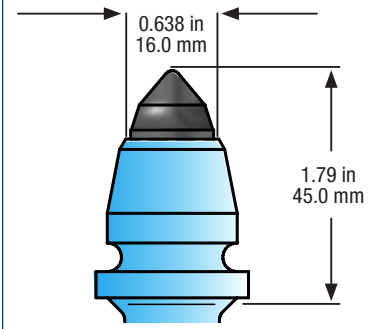
Proudly made in the U.S.A.



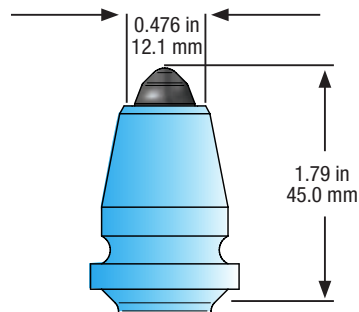
Trenching



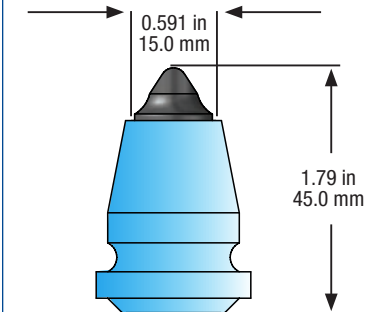
TB01C



TB01



TB03



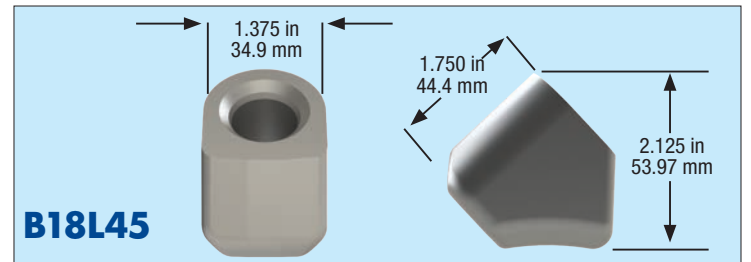
TB73

Features:

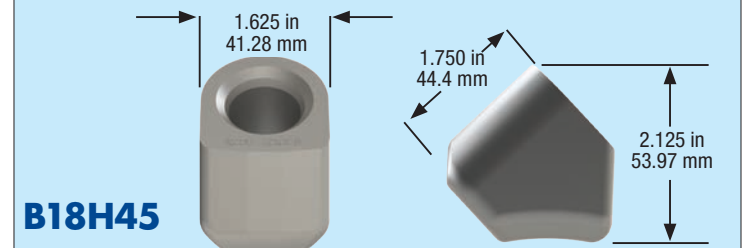
- Standard body design
- Used for small Chain Trenchers and Rock Wheels
- Puller groove for easy tool removal
- Interchangeable series offers flexibly

Tool Part Number	Shank (in, mm)	Shoulder (in, mm)	Tip Diameter (in, mm)	Gauge (in, mm)	Pieces per Box	Pieces per Pallet
TB01C	0.72 in 18 mm	1.0 in 25.4 mm	0.638 in 16.0 mm	1.79 in 45.0 mm	65	3900
TB01	0.72 in 18 mm	1.0 in 25.4 mm	0.638 in 16.0 mm	1.79 in 45.0 mm	65	3900
TB03	0.72 in 18 mm	1.0 in 25.4 mm	0.476 in 12.1 mm	1.79 in 45.0 mm	65	3900
TB73	0.72 in 18 mm	1.0 in 25.4 mm	0.591 in 15.0 mm	1.79 in 45.0 mm	65	3900

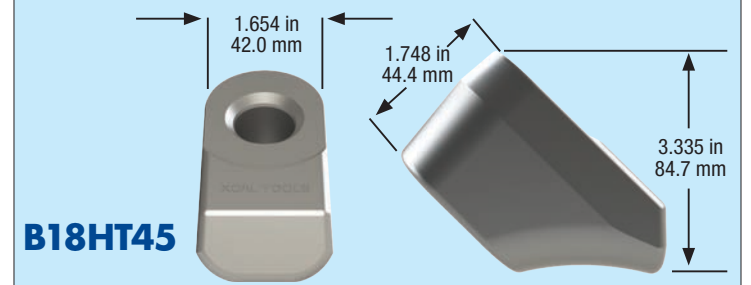
Block Part Number	Bore Hole Diameter (in, mm)	Width (in, mm)	Angle (degrees)	Internal Groove	Pieces per Box	Pieces per Pallet
B18L45	.750 in 19.05 mm	1.375 in 34.9 mm	45°	Yes	35	2100
B18H45	.750 in 19.05 mm	1.625 in 41.28 mm	45°	Yes	35	2100
B18HT45	.750 in 19.05 mm	1.654 in 42.0 mm	45°	Yes	20	900



B18L45



B18H45



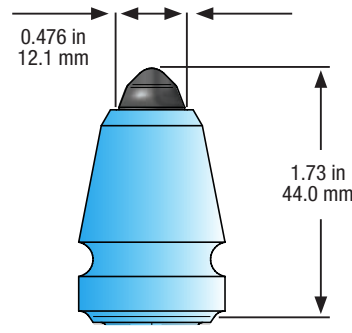
B18HT45



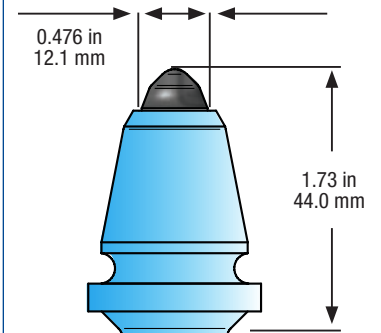
Proudly made in the U.S.A.



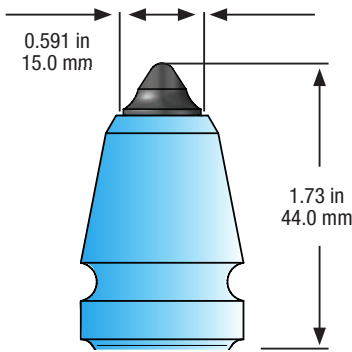
Trenching



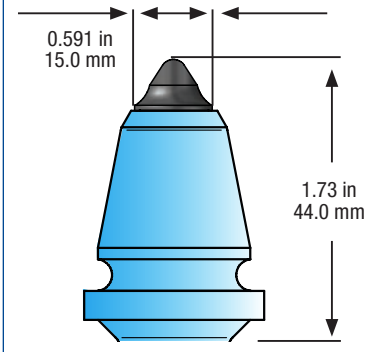
TC403L



TC403



TC473L



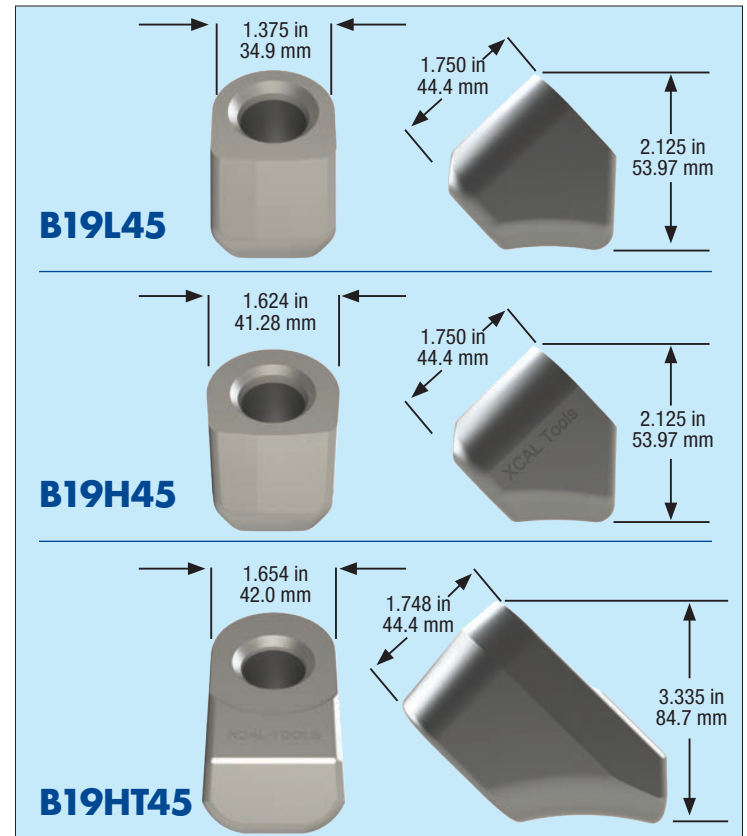
TC473

Features:

- Standard body design
- Used for small Chain Trenchers and Rock Wheels
- Puller groove for easy tool removal
- Offered with a Wedding Band or Sleeve retainer

Tool Part Number	Shank (in, mm)	Shoulder (in, mm)	Tip Diameter (in, mm)	Gauge (in, mm)	Pieces per Box	Pieces per Pallet
TC403L	0.74 in 19 mm	1.06 in 27 mm	0.476 in 12.1 mm	1.73 in 44.0 mm	65	3900
TC403	0.74 in 19 mm	1.25 in 31.75 mm	0.476 in 12.1 mm	1.73 in 44.0 mm	65	3900
TC473L	0.74 in 19 mm	1.06 in 27 mm	0.591 in 15.0 mm	1.73 in 44.0 mm	65	3900
TC473	0.74 in 19 mm	1.25 in 31.75 mm	0.591 in 15.0 mm	1.73 in 44.0 mm	65	3900

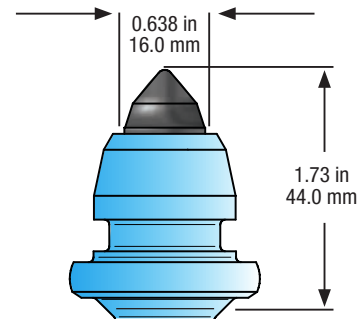
Block Part Number	Bore Hole Diameter (in, mm)	Width (in, mm)	Angle (degrees)	Internal Groove	Pieces per Box	Pieces per Pallet
B19L45	.782 in 19.87 mm	1.375 in 34.9 mm	45°	Yes	35	2100
B19H45	.782 in 19.87 mm	1.624 in 41.28 mm	45°	Yes	35	2100
B19HT45	.782 in 19.87 mm	1.654 in 42.0 mm	45°	Yes	20	900



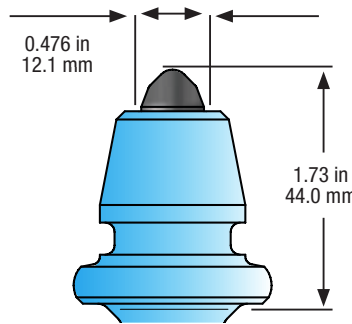
Proudly made in the U.S.A.



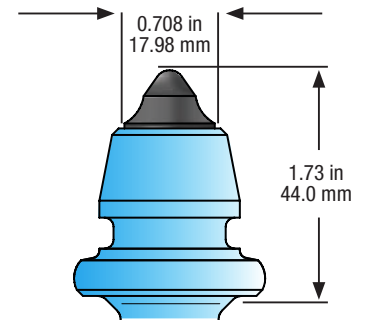
Trenching



TJ401



TJ403



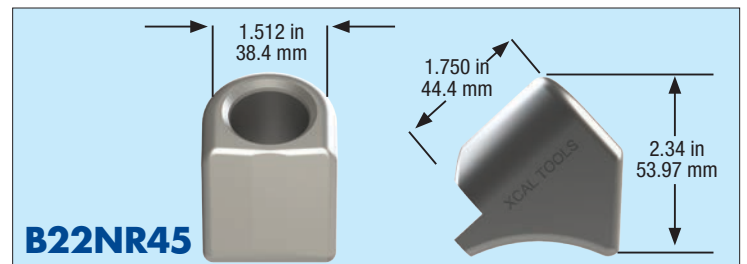
TJ474

Features:

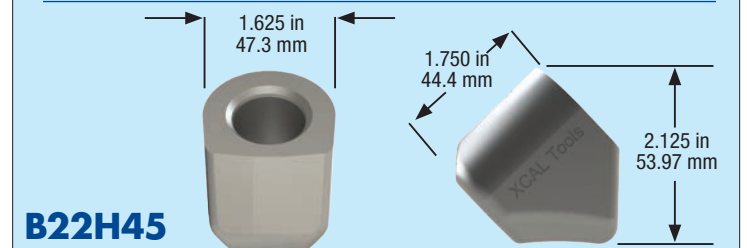
- Bumped sleeve for improved retention
- Puller Groove to aid in extraction
- Interchangeable series offers flexibility

Tool Part Number	Shank (in, mm)	Shoulder (in, mm)	Tip Diameter (in, mm)	Gauge (in, mm)	Pieces per Box	Pieces per Pallet
TJ401	0.86 in / 22 mm	1.5 in / 38.1 mm	0.638 in / 16.0 mm	1.73 in / 44.0 mm	50	3000
TJ403	0.86 in / 22 mm	1.5 in / 38.1 mm	0.476 in / 12.1 mm	1.73 in / 44.0 mm	50	3000
TJ474	0.86 in / 22 mm	1.5 in / 38.1 mm	0.708 in / 17.98 mm	1.73 in / 44.0 mm	50	3000

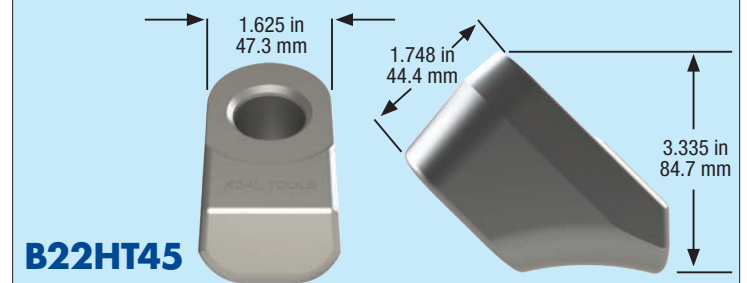
Block Part Number	Bore Hole Diameter (in, mm)	Width (in, mm)	Angle (degrees)	Internal Groove	Pieces per Box	Pieces per Pallet
B22NR45	0.885 in / 22.48 mm	1.512 in / 38.4 mm	45°	Yes	35	2100
B22H45	0.885 in / 22.48 mm	1.625 in / 47.3 mm	45°	Yes	35	2100
B22HT45	0.885 in / 22.48 mm	1.625 in / 47.3 mm	45°	Yes	35	2100



B22NR45



B22H45



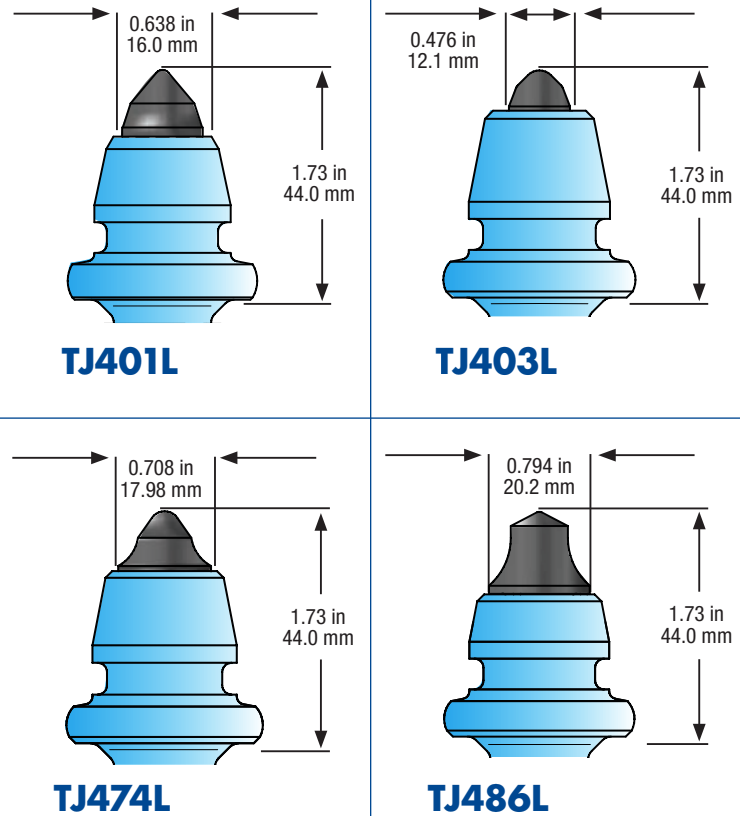
B22HT45



Proudly made in the U.S.A.



Trenching

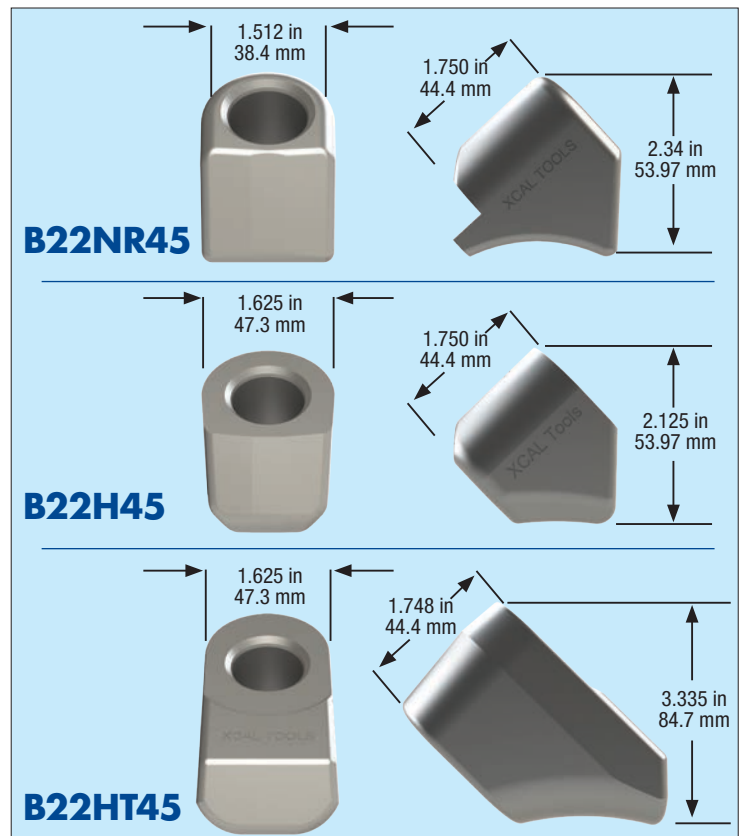


Features:

- Offered in a wide range of tips for impact and highly abrasive material
- Puller Groove to aid in extraction
- Interchangeable series offers flexibly

Tool Part Number	Shank (in, mm)	Shoulder (in, mm)	Tip Diameter (in, mm)	Gauge (in, mm)	Pieces per Box	Pieces per Pallet
TJ401L	0.86 in 22 mm	1.5 in 38.1 mm	0.638 in 16.0 mm	1.73 in 44.0 mm	50	3000
TJ403L	0.86 in 22 mm	1.5 in 38.1 mm	0.476 in 12.1 mm	1.73 in 44.0 mm	50	3000
TJ474L	0.86 in 22 mm	1.5 in 38.1 mm	0.708 in 17.98 mm	1.73 in 44.0 mm	50	3000
TJ486L	0.86 in 22 mm	1.5 in 38.1 mm	0.794 in 20.2 mm	1.73 in 44.0 mm	50	3000

Block Part Number	Bore Hole Diameter (in, mm)	Width (in, mm)	Angle (degrees)	Internal Groove	Pieces per Box	Pieces per Pallet
B22NR45	0.885 in 22.48 mm	1.512 in 38.4 mm	45°	Yes	35	2100
B22H45	0.885 in 22.48 mm	1.625 in 47.3 mm	45°	Yes	35	2100
B22HT45	0.885 in 22.48 mm	1.625 in 47.3 mm	45°	Yes	35	2100



Proudly made in the U.S.A.



Trenching

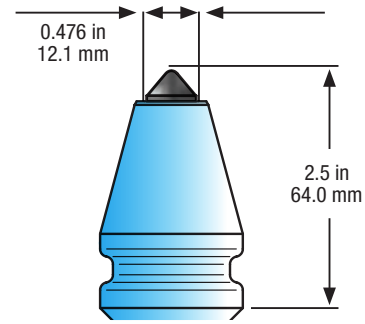


Features:

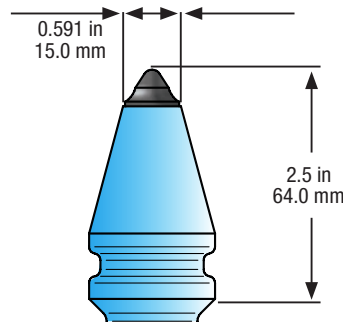
- Sharp nose for increased penetration
- Offered in a Hybrid tip, or Plug tip for impact and highly abrasive material
- Interchangeable series offers flexibility

Tool Part Number	Shank (in, mm)	Shoulder (in, mm)	Tip Diameter (in, mm)	Gauge (in, mm)	Pieces per Box	Pieces per Pallet
DR35	1.0 in 25 mm	1.5 in 38.1 mm	0.476 in 12.1 mm	2.5 in 64.0 mm	35	2100
DR73	1.0 in 25 mm	1.5 in 38.1 mm	0.591 in 15.0 mm	2.5 in 64.0 mm	35	2100
DR74	1.0 in 25 mm	1.5 in 38.1 mm	0.708 in 17.9 mm	2.5 in 64.0 mm	35	2100
DR75	1.0 in 25 mm	1.5 in 38.1 mm	.817 in 20.75 mm	2.5 in 64.0 mm	35	2100

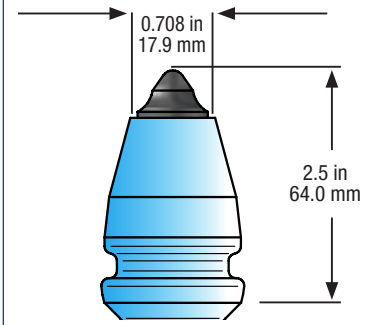
Block Part Number	Bore Hole Diameter (in, mm)	Width (in, mm)	Angle (degrees)	Internal Groove	Pieces per Box	Pieces per Pallet
B25HN45	1.012 in 25.71 mm	1.72 in 43.7 mm	45°	Yes	15	900
B25H45	1.012 in 25.71 mm	1.969 in 50.0 mm	45°	Yes	8	480



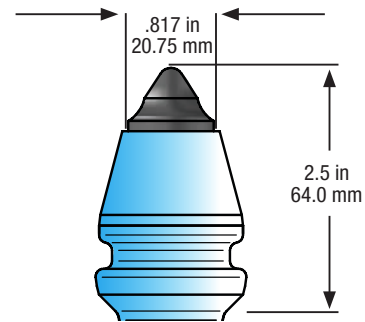
DR35



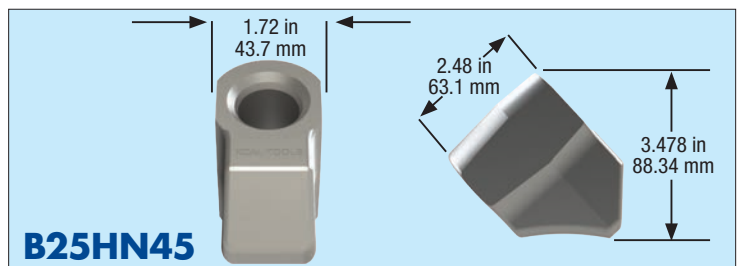
DR73



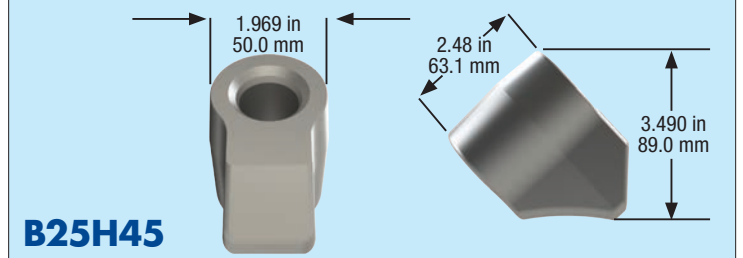
DR74



DR75



B25HN45



B25H45



Proudly made in the U.S.A.



Trenching

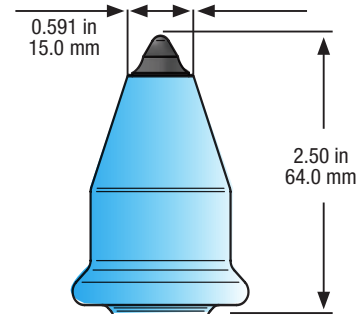


Features:

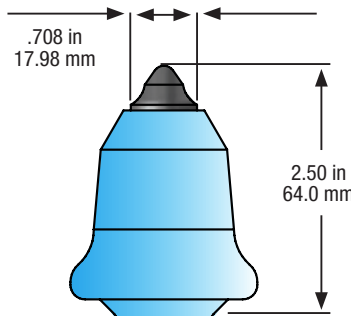
- Wide-flare shoulder provides maximum block and bore protection
- Offered in a Hybrid tip or Wide-Top tip for impact and highly abrasive material
- Interchangeable series offers flexibility

Tool Part Number	Shank (in, mm)	Shoulder (in, mm)	Tip Diameter (in, mm)	Gauge (in, mm)	Pieces per Box	Pieces per Pallet
DRW73	1.0 in 25 mm	1.84 in 46.7 mm	0.591 in 15.0 mm	2.50 in 64.0 mm	25	1500
DRW74	1.0 in 25 mm	1.84 in 46.7 mm	.708 in 17.98 mm	2.50 in 64.0 mm	25	1500
DRW75	1.0 in 25 mm	1.84 in 46.7 mm	.817 in 20.75 mm	2.50 in 64.0 mm	25	1500
DRW76	1.0 in 25 mm	1.84 in 46.7 mm	0.930 in 23.62 mm	2.50 in 64.0 mm	25	1500

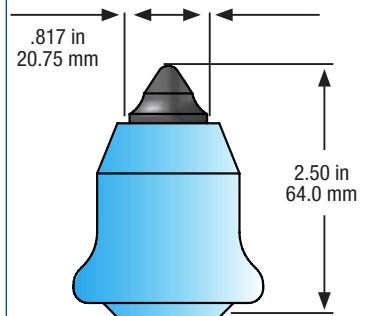
Block Part Number	Bore Hole Diameter (in, mm)	Width (in, mm)	Angle (degrees)	Internal Groove	Pieces per Box	Pieces per Pallet
B25HN45	1.012 in 25.71 mm	1.72 in 43.7 mm	45°	Yes	15	900
B25H45	1.012 in 25.71 mm	1.969 in 50.0 mm	45°	Yes	8	480



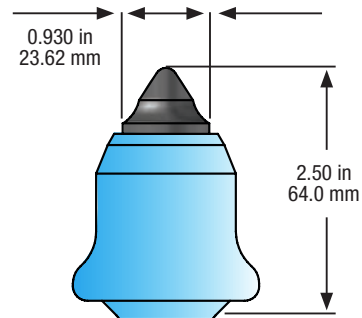
DRW73



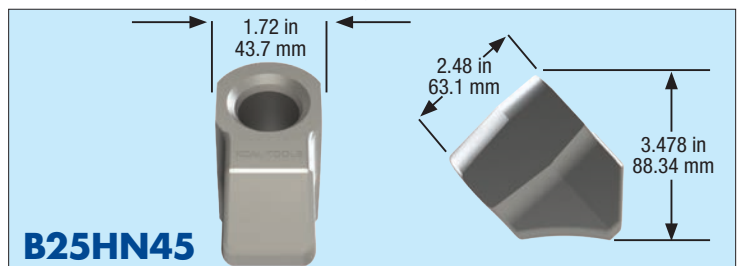
DRW74



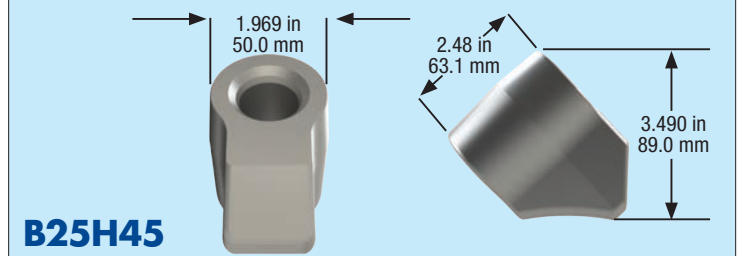
DRW75



DRW76



B25HN45



B25H45



Proudly made in the U.S.A.



Trenching

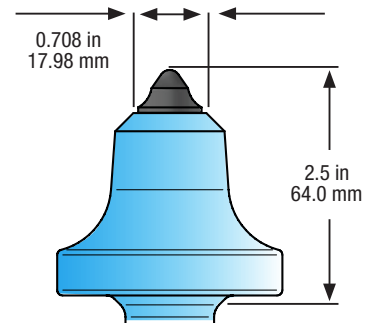


Features:

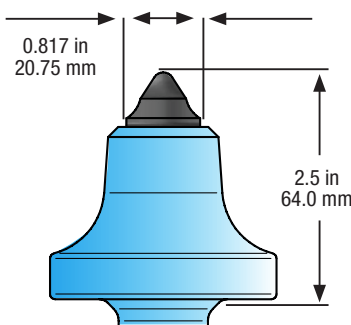
- Standard body design 2.5 in/63.5 mm gauge
- Wide-flare shoulder provides maximum block and face protection
- Design evenly distributes impact loads through tool shoulder

Tool Part Number	Shank (in, mm)	Gauge (in, mm)	Tip Diameter (in, mm)	Pieces per Box	Pieces per Pallet
TR74	1.0 in 25 mm	2.5 in 64 mm	0.708 in 17.98 mm	15	900
TR75	1.0 in 25 mm	2.5 in 64 mm	0.817 in 20.75 mm	15	900
TR76	1.0 in 25 mm	2.5 in 64 mm	0.93 in 23.62 mm	15	900

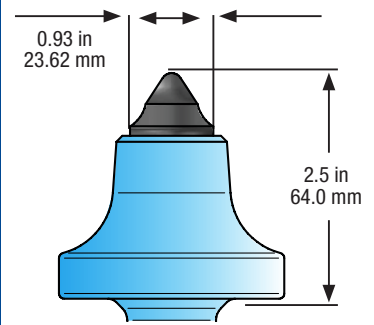
Block Part Number	Bore Hole Diameter (in, mm)	Width (in, mm)	Angle (degrees)	Internal Groove	Pieces per Box	Pieces per Pallet
B25HN45	1.012 in 25.71 mm	1.72 in 43.7 mm	45°	Yes	15	900
B25H45	1.012 in 25.71 mm	1.969 in 50.0 mm	45°	Yes	8	480
B25H50S	1.012 in 25.71 mm	2.63 in 66.8 mm	50°	Yes	6	360
B25H50L	1.012 in 25.71 mm	2.63 in 66.8 mm	50°	Yes	6	360



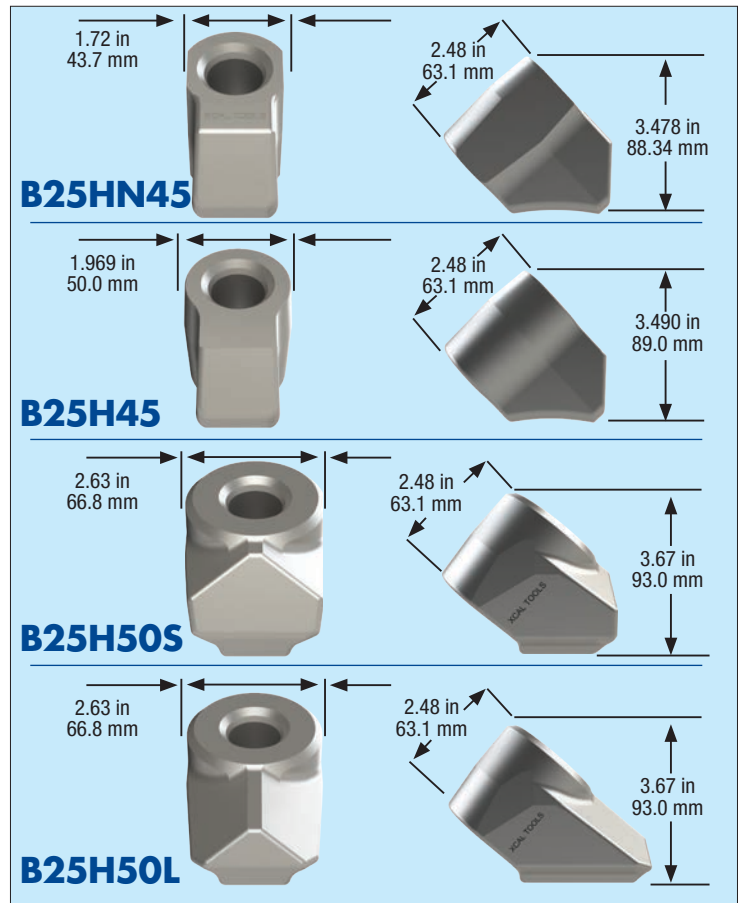
TR74



TR75



TR76



Proudly made in the U.S.A.



Trenching

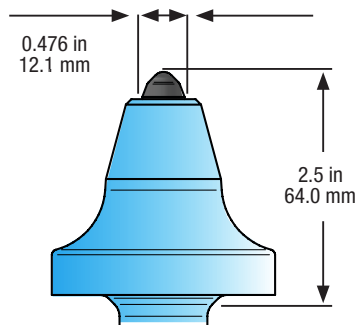


Features:

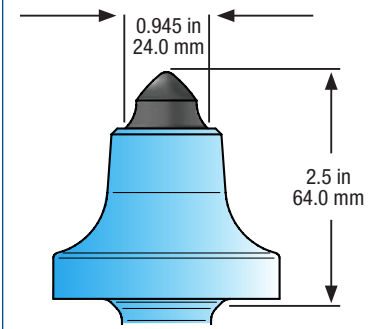
- Standard body design 2.5 in/63.5 mm gauge
- Wide-flare shoulder provides maximum block and face protection
- Design evenly distributes impact loads through tool shoulder

Tool Part Number	Shank (in, mm)	Shoulder (in, mm)	Tip Diameter (in, mm)	Gauge (in, mm)	Pieces per Box	Pieces per Pallet
TJ401L	1.0 in 25 mm	2.5 in 64 mm	0.476 in 12.1 mm	2.5 in 64.0 mm	15	900
TJ403L	1.0 in 25 mm	2.5 in 64 mm	0.945 in 24.0 mm	2.5 in 64.0 mm	15	900
TJ474L	1.0 in 25 mm	2.5 in 64 mm	0.775 in 19.68 mm	2.5 in 64.0 mm	15	900
TJ486L	1.0 in 25 mm	2.5 in 64 mm	1.142 in 29.0 mm	2.5 in 64.0 mm	15	900

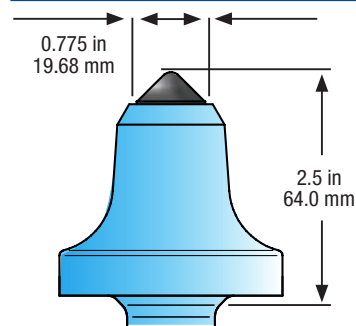
Block Part Number	Bore Hole Diameter (in, mm)	Width (in, mm)	Angle (degrees)	Internal Groove	Pieces per Box	Pieces per Pallet
B25HN45	1.012 in 25.71 mm	1.72 in 43.7 mm	45°	Yes	15	900
B25H45	1.012 in 25.71 mm	1.969 in 50.0 mm	45°	Yes	8	480
B25H50S	1.012 in 25.71 mm	2.63 in 66.8 mm	50°	Yes	6	360
B25H50L	1.012 in 25.71 mm	2.63 in 66.8 mm	50°	Yes	6	360



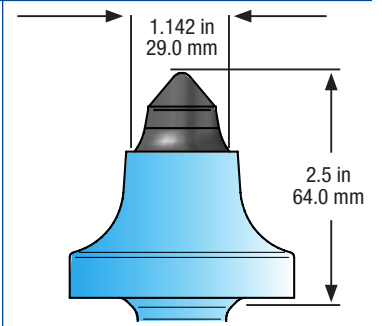
TR03



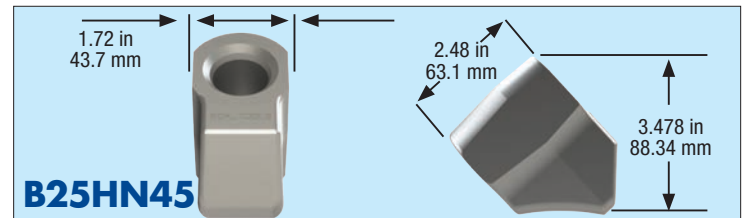
TR23



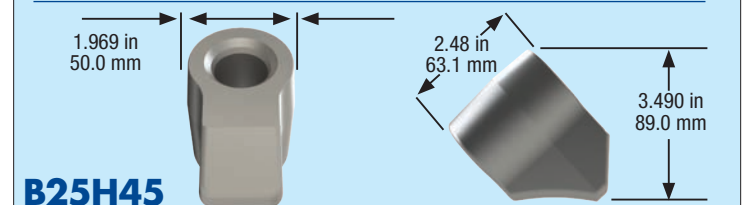
TR39



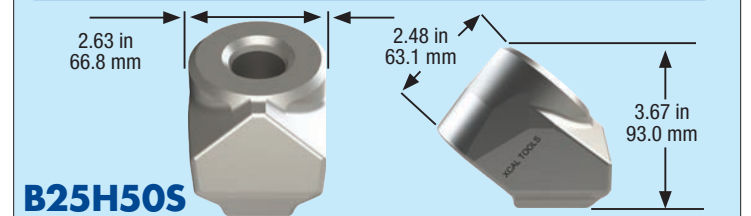
TR56



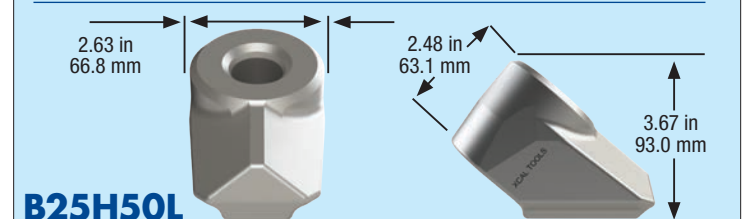
B25HN45



B25H45



B25H50S



B25H50L



Proudly made in the U.S.A.



Trenching

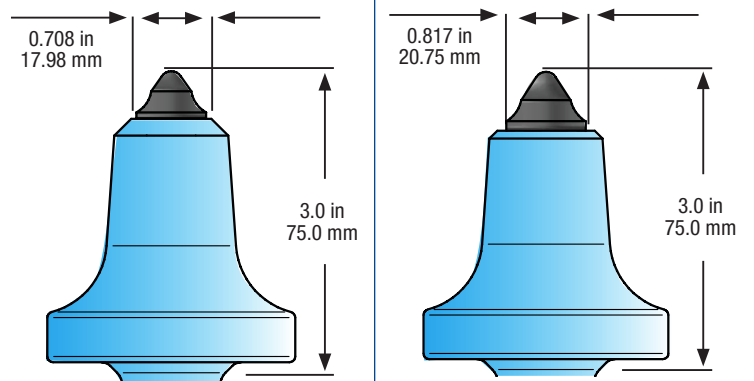


Features:

- Standard body design 3 in/75 mm gauge
- Wide-flare shoulder provides maximum block and face protection
- Design evenly distributes impact loads through tool shoulder

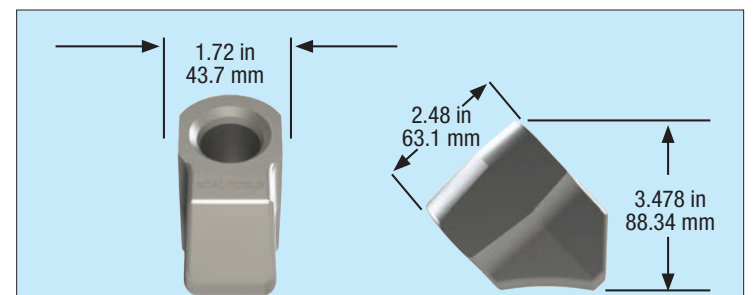
Tool Part Number	Shank (in, mm)	Shoulder (in, mm)	Tip Diameter (in, mm)	Gauge (in, mm)	Pieces per Box	Pieces per Pallet
TRG74	1.0 in 25 mm	2.5 in 64 mm	0.708 in 17.98 mm	3.0 in 75.0 mm	15	900
TRG75	1.0 in 25 mm	2.5 in 64 mm	0.817 in 20.75 mm	3.0 in 75.0 mm	15	900

Block Part Number	Bore Hole Diameter (in, mm)	Width (in, mm)	Angle (degrees)	Internal Groove	Pieces per Box	Pieces per Pallet
B25HN45	1.012 in 25.71 mm	1.72 in 43.7 mm	45°	Yes	15	900
B25H45	1.012 in 25.71 mm	1.969 in 50.0 mm	45°	Yes	8	480
B25H50S	1.012 in 25.71 mm	2.63 in 66.8 mm	50°	Yes	6	360
B25H50L	1.012 in 25.71 mm	2.63 in 66.8 mm	50°	Yes	6	360

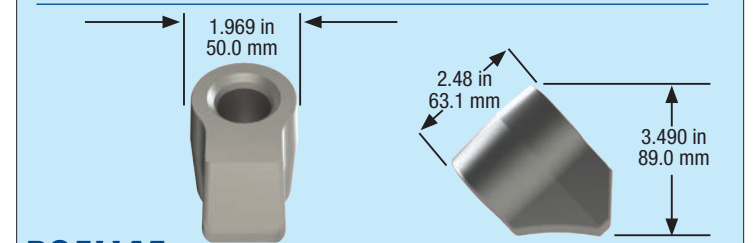


TRG74

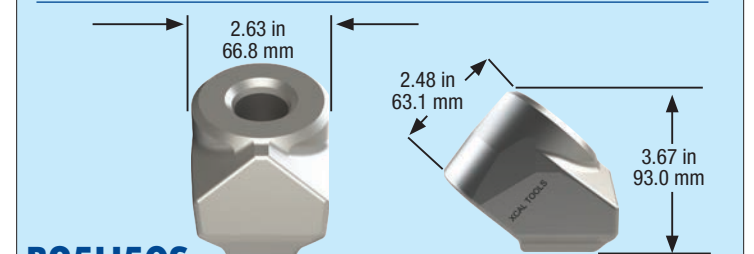
TRG75



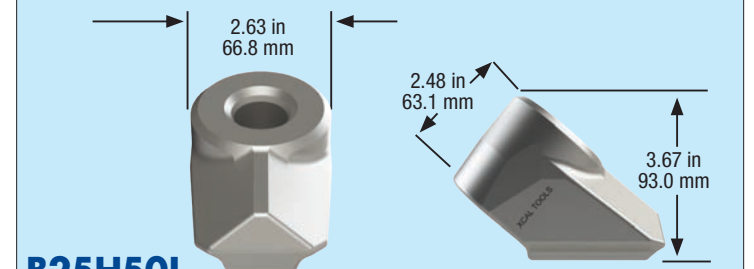
B25HN45



B25H45



B25H50S



B25H50L



Proudly made in the U.S.A.



Trenching (C- Groove Series)

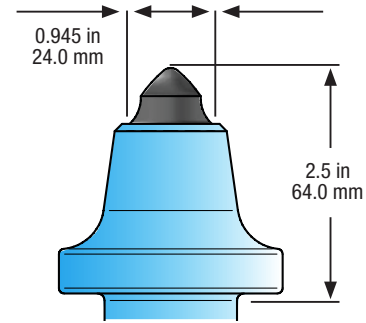


Features:

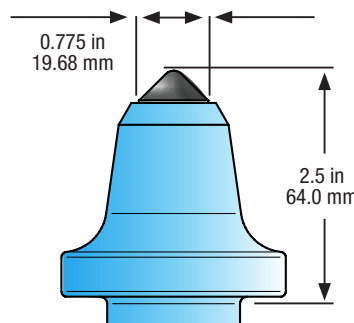
- Standard body design 2.5 in/63.5 mm gauge
- Wide-flare shoulder provides maximum block and face protection
- Step-shank design for improved strength

Tool Part Number	Shank (in, mm)	Shoulder (in, mm)	Tip Diameter (in, mm)	Gauge (in, mm)	Pieces per Box	Pieces per Pallet
TX23	1.5 in 30 mm	2.5 in 64 mm	0.945 in 24.0 mm	2.5 in 64.0 mm	10	600
TX39	1.5 in 30 mm	2.5 in 64 mm	0.775 in 19.68 mm	2.5 in 64.0 mm	10	600
TX74	1.5 in 30 mm	2.5 in 64 mm	0.708 in 17.98 mm	2.5 in 64.0 mm	10	600
TX75	1.5 in 30 mm	2.5 in 64 mm	0.817 in 20.75 mm	2.5 in 64.0 mm	10	600
TX76	1.5 in 30 mm	2.5 in 64 mm	0.93 in 23.62 mm	2.5 in 64.0 mm	10	600

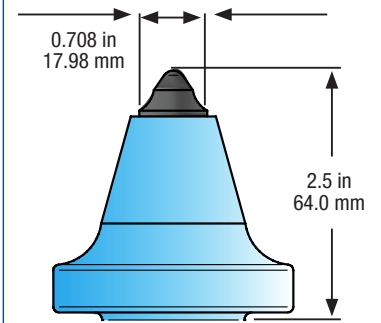
Block Part Number	Bore Hole Diameter (in, mm)	Width (in, mm)	Angle (degrees)	Internal Groove	Pieces per Box	Pieces per Pallet
B38HD50S	1.50 in 38.23 mm	3.25 in 82.5 mm	50°	Yes	8	480
B38HD50L	1.50 in 38.23 mm	3.25 in 82.5 mm	50°	Yes	8	480



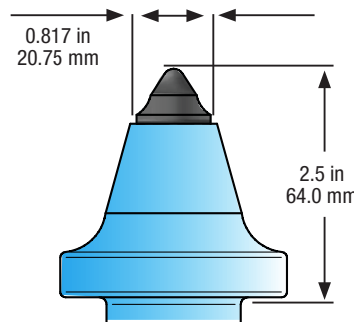
TX23



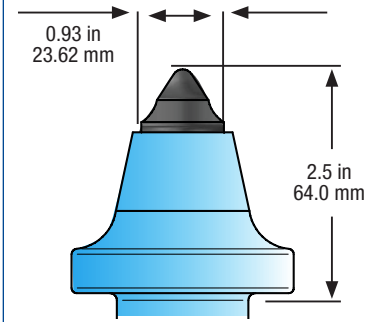
TX39



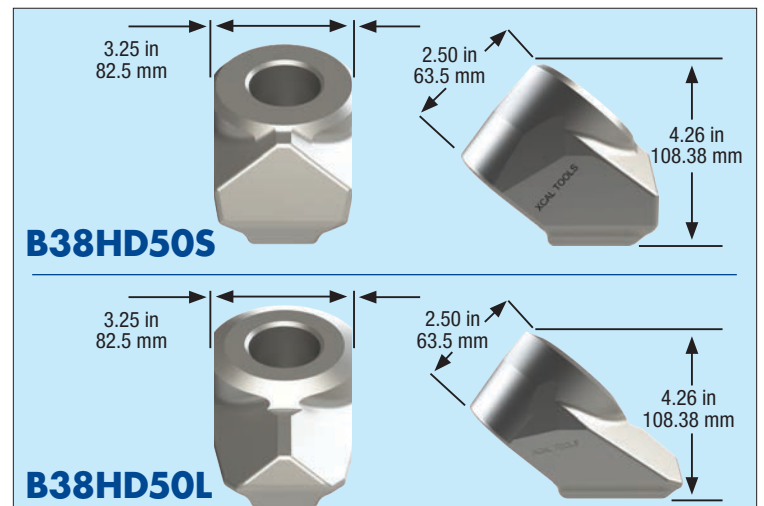
TX74



TX75



TX76



B38HD50S

B38HD50L



Proudly made in the U.S.A.



Trenching (C- Groove Series)

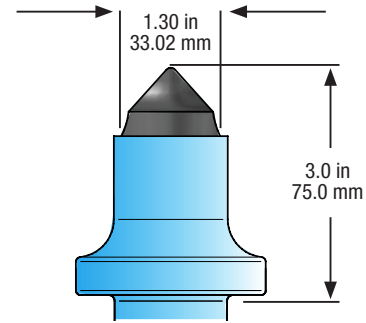


Features:

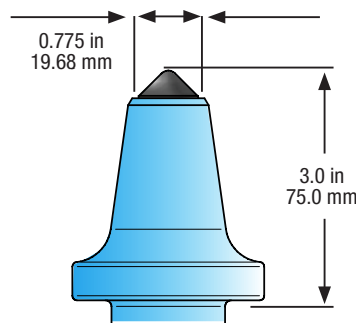
- Standard body design 3 in/75 mm gauge
- Wide-flare shoulder provides maximum block and face protection
- Step-shank design for improved strength

Tool Part Number	Shank (in, mm)	Shoulder (in, mm)	Tip Diameter (in, mm)	Gauge (in, mm)	Pieces per Box	Pieces per Pallet
TXF20	1.5 in 30 mm	2.5 in 64 mm	1.30 in 33.02 mm	3.0 in 75.0 mm	10	600
TXF39	1.5 in 30 mm	2.5 in 64 mm	0.775 in 19.68 mm	3.0 in 75.0 mm	10	600
TXF56	1.5 in 30 mm	2.5 in 64 mm	0.79 in 20.2 mm	3.0 in 75.0 mm	10	600
TXF74	1.5 in 30 mm	2.5 in 64 mm	0.708 in 17.98 mm	3.0 in 75.0 mm	10	600
TXF74P	1.5 in 30 mm	2.5 in 64 mm	0.708 in 17.98 mm	3.0 in 75.0 mm	10	600

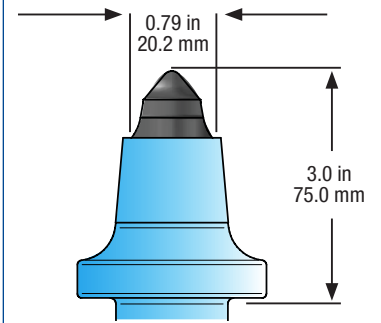
Block Part Number	Bore Hole Diameter (in, mm)	Width (in, mm)	Angle (degrees)	Internal Groove	Pieces per Box	Pieces per Pallet
B38HD50S	1.50 in 38.23 mm	3.25 in 82.5 mm	50°	Yes	8	480
B38HD50L	1.50 in 38.23 mm	3.25 in 82.5 mm	50°	Yes	8	480



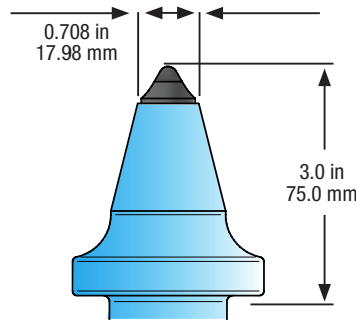
TXF20



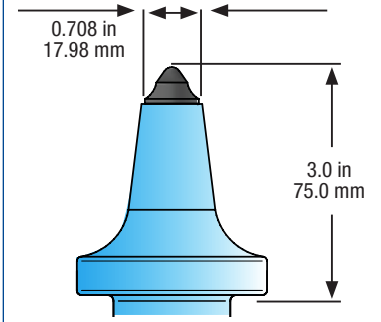
TXF39



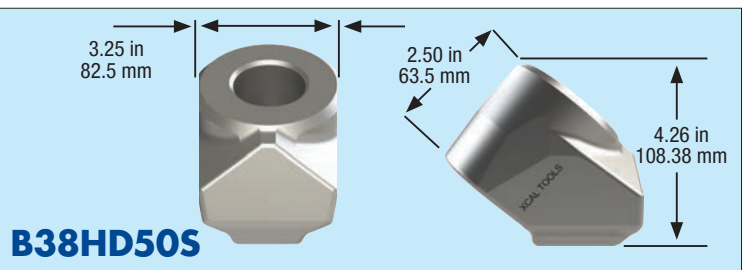
TXF56



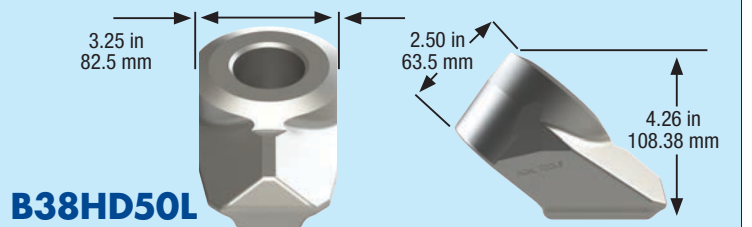
TXF74



TXF74P



B38HD50S



B38HD50L



Proudly made in the U.S.A.



Trenching (C-Groove Series)

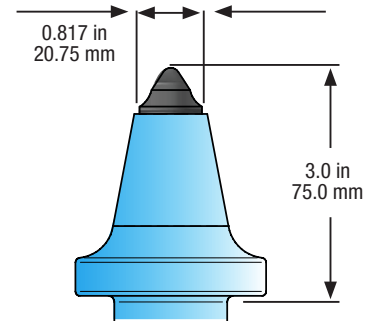


Features:

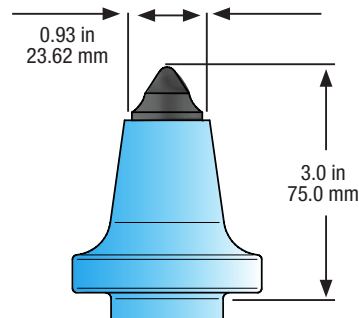
- Standard body design 3 in/75 mm gauge
- Narrow body for efficient penetration
- Wide-flare shoulder provides maximum block and face protection
- Step-shank design for improved strength

Tool Part Number	Shank (in, mm)	Shoulder (in, mm)	Tip Diameter (in, mm)	Gauge (in, mm)	Pieces per Box	Pieces per Pallet
TXF75	1.5 in 30 mm	2.5 in 64 mm	0.817 in 20.75 mm	3.0 in 75.0 mm	10	600
TXF76	1.5 in 30 mm	2.5 in 64 mm	0.93 in 23.62 mm	3.0 in 75.0 mm	10	600
TXF78	1.5 in 30 mm	2.5 in 64 mm	0.976 in 24.79 mm	3.0 in 75.0 mm	10	600

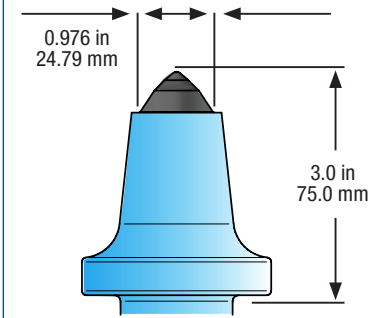
Block Part Number	Bore Hole Diameter (in, mm)	Width (in, mm)	Angle (degrees)	Internal Groove	Pieces per Box	Pieces per Pallet
B38H50S	1.50 in 38.23 mm	2.630 in 66.8 mm	50°	Yes	8	480
B38H50L	1.50 in 38.23 mm	2.630 in 66.8 mm	50°	Yes	8	480
B38HD50S	1.50 in 38.23 mm	3.25 in 82.5 mm	50°	Yes	8	480
B38HD50L	1.50 in 38.23 mm	3.25 in 82.5 mm	50°	Yes	8	480



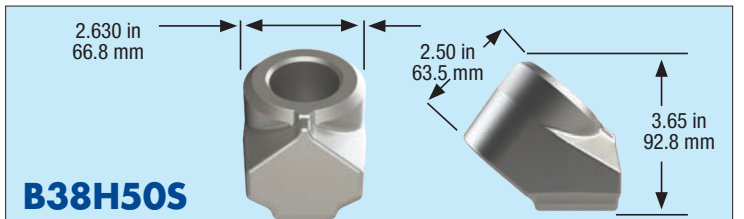
TXF75



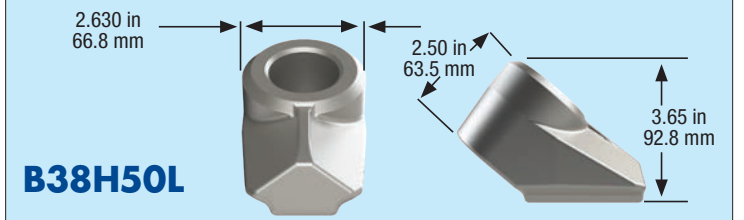
TXF76



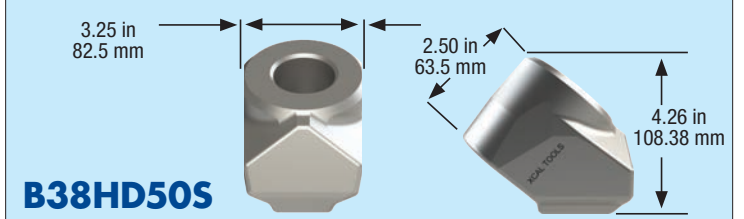
TXF78



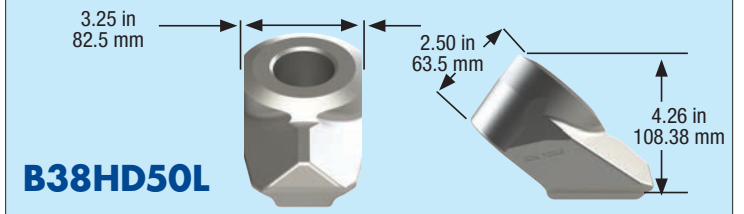
B38H50S



B38H50L



B38HD50S



B38HD50L



Proudly made in the U.S.A.



Trenching (C-Groove Series)

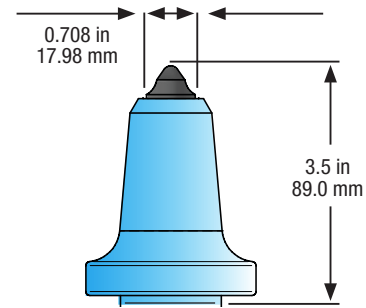


Features:

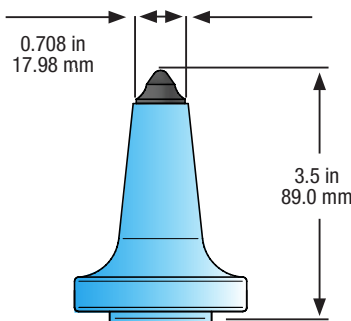
- Standard body design 3.5 in/89 mm gauge
- Narrow body for efficient penetration
- Wide-flare shoulder provides maximum block and face protection
- Step-shank design for improved strength

Tool Part Number	Shank (in, mm)	Shoulder (in, mm)	Tip Diameter (in, mm)	Gauge (in, mm)	Pieces per Box	Pieces per Pallet
TXV74	1.5 in 30 mm	2.5 in 64 mm	0.708 in 17.98 mm	3.5 in 89.0 mm	10	600
TXV74P	1.5 in 30 mm	2.5 in 64 mm	0.708 in 17.98 mm	3.5 in 89.0 mm	10	600
TXV75	1.5 in 30 mm	2.5 in 64 mm	0.817 in 20.75 mm	3.5 in 89.0 mm	10	600
TXV76	1.5 in 30 mm	2.5 in 64 mm	0.93 in 23.62 mm	3.5 in 89.0 mm	10	600
TXV78	1.5 in 30 mm	2.5 in 64 mm	0.97 in 24.7 mm	3.5 in 89.0 mm	10	600

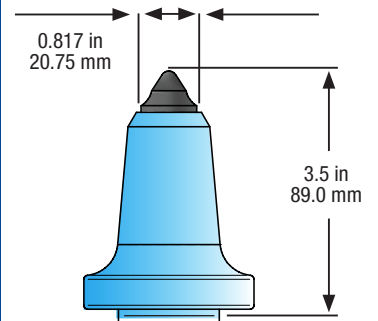
Block Part Number	Bore Hole Diameter (in, mm)	Width (in, mm)	Angle (degrees)	Internal Groove	Pieces per Box	Pieces per Pallet
B38HD50S	1.50 in 38.23 mm	3.25 in 82.5 mm	50°	Yes	8	480
B38HD50L	1.50 in 38.23 mm	3.25 in 82.5 mm	50°	Yes	8	480



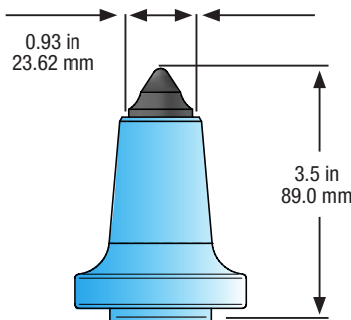
TXV74



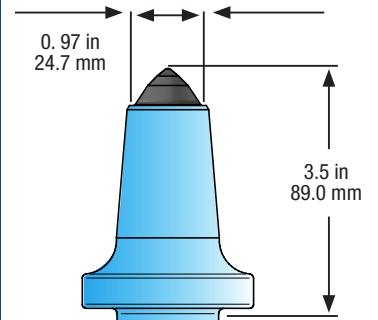
TXV74P



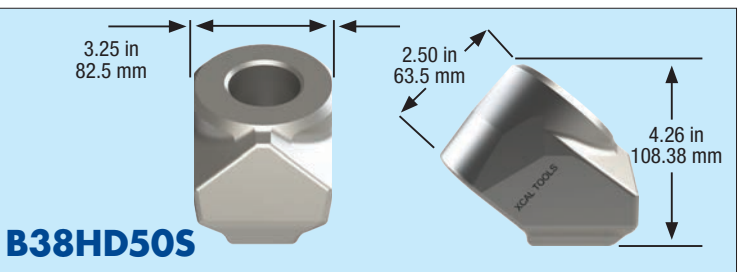
TXV75



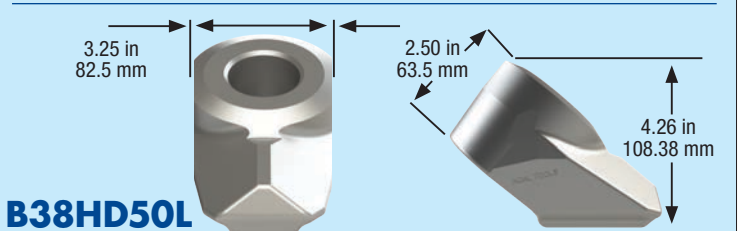
TXV76



TXV78



B38HD50S



B38HD50L



Proudly made in the U.S.A.



Trenching (Snap Ring Series)

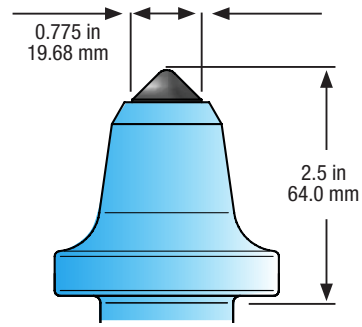


Features:

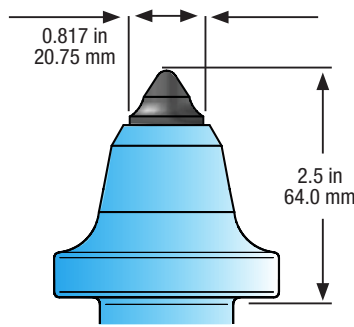
- Narrow body for efficient penetration
- Wide-flare shoulder provides maximum block and face protection
- Step-shank design for improved strength

Tool Part Number	Shank (in, mm)	Shoulder (in, mm)	Tip Diameter (in, mm)	Gauge (in, mm)	Pieces per Box	Pieces per Pallet
TX39K	1.5 in 30 mm	2.5 in 64 mm	0.775 in 19.68 mm	2.5 in 64.0 mm	10	600
TX75K	1.5 in 30 mm	2.5 in 64 mm	0.817 in 20.75 mm	2.5 in 64.0 mm	10	600
TX76K	1.5 in 30 mm	2.5 in 64 mm	0.93 in 23.62 mm	2.5 in 64.0 mm	10	600

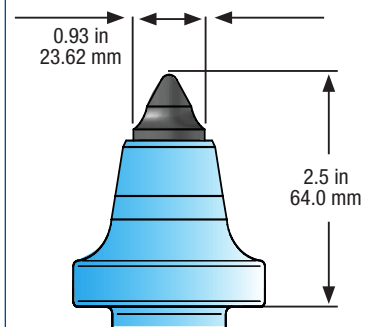
Block Part Number	Bore Hole Diameter (in, mm)	Width (in, mm)	Angle (degrees)	Internal Groove	Pieces per Box	Pieces per Pallet
B38H50S	1.50 in 38.23 mm	2.630 in 66.8 mm	50°	Yes	8	480
B38H50L	1.50 in 38.23 mm	2.630 in 66.8 mm	50°	Yes	8	480
B38HD50S	1.50 in 38.23 mm	3.25 in 82.5 mm	50°	Yes	8	480
B38HD50L	1.50 in 38.23 mm	3.25 in 82.5 mm	50°	Yes	8	480



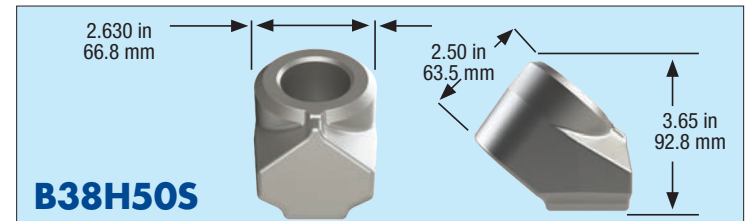
TX39K



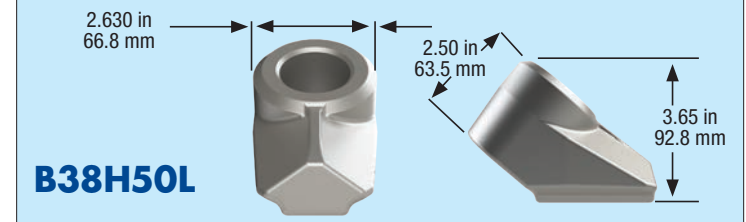
TX75K



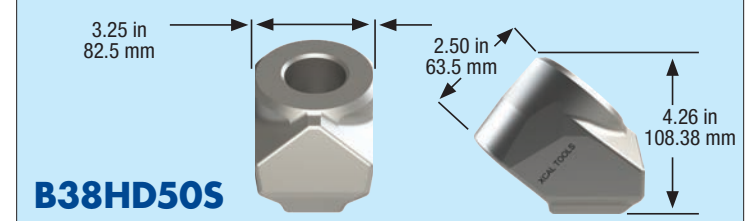
TX76K



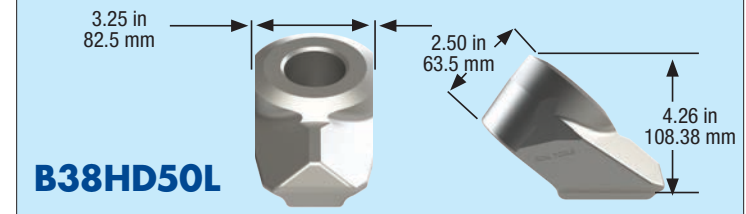
B38H50S



B38H50L



B38HD50S



B38HD50L



Proudly made in the U.S.A.



Trenching (Snap Ring Series)

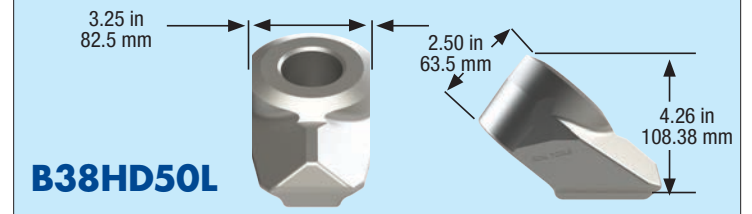
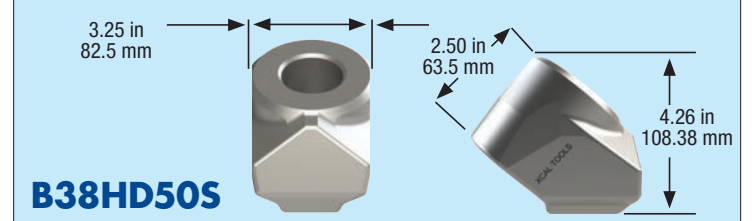
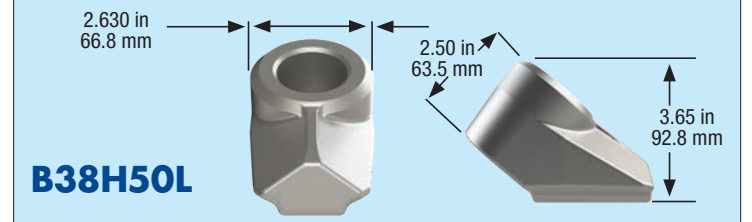
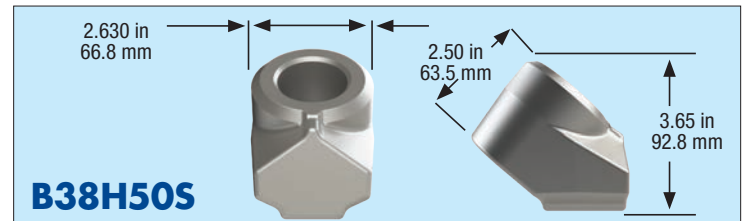
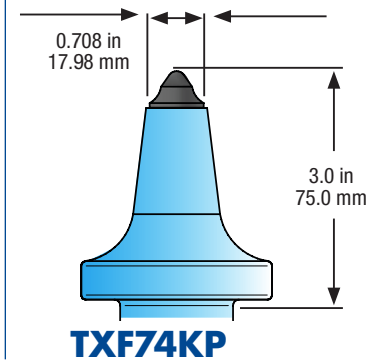
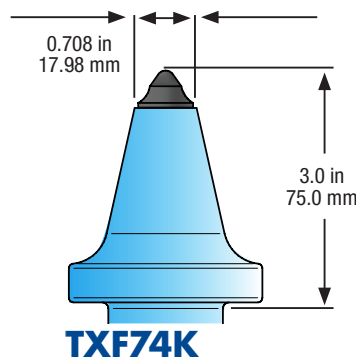
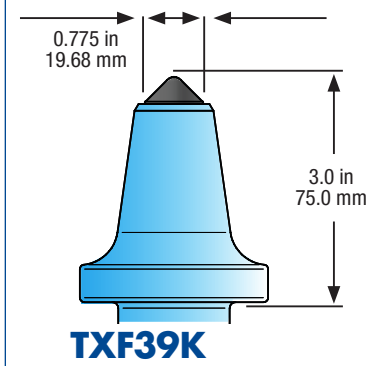
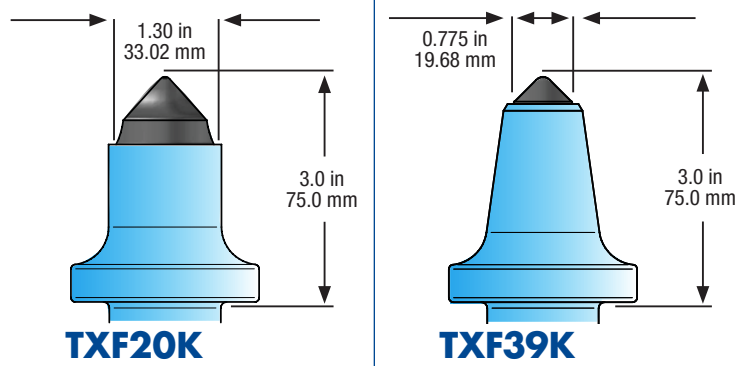


Features:

- Narrow body for efficient penetration
- Wide-flare shoulder provides maximum block and face protection
- Step-shank design for improved strength

Tool Part Number	Shank (in, mm)	Shoulder (in, mm)	Tip Diameter (in, mm)	Gauge (in, mm)	Pieces per Box	Pieces per Pallet
TXF20K	1.5 in 30 mm	2.5 in 64 mm	1.30 in 33.02 mm	3.0 in 75.0 mm	10	600
TXF39K	1.5 in 30 mm	2.5 in 64 mm	0.775 in 19.68 mm	3.0 in 75.0 mm	10	600
TXF74K	1.5 in 30 mm	2.5 in 64 mm	0.708 in 17.98 mm	3.0 in 75.0 mm	10	600
TXF74KP	1.5 in 30 mm	2.5 in 64 mm	0.708 in 17.98 mm	3.0 in 75.0 mm	10	600

Block Part Number	Bore Hole Diameter (in, mm)	Width (in, mm)	Angle (degrees)	Internal Groove	Pieces per Box	Pieces per Pallet
B38H50S	1.50 in 38.23 mm	2.630 in 66.8 mm	50°	Yes	8	480
B38H50L	1.50 in 38.23 mm	2.630 in 66.8 mm	50°	Yes	8	480
B38HD50S	1.50 in 38.23 mm	3.25 in 82.5 mm	50°	Yes	8	480
B38HD50L	1.50 in 38.23 mm	3.25 in 82.5 mm	50°	Yes	8	480



Proudly made in the U.S.A.



Trenching *(Snap Ring Series)*

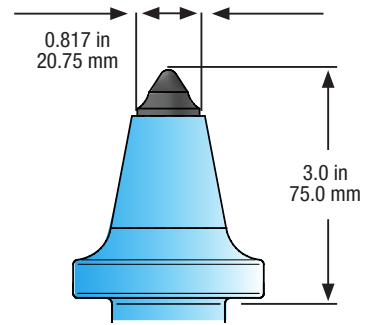


Features:

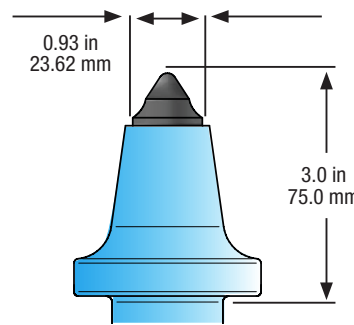
- Narrow body for efficient penetration
- Wide-flare shoulder provides maximum block and face protection
- Step-shank design for improved strength

Tool Part Number	Shank (in, mm)	Shoulder (in, mm)	Tip Diameter (in, mm)	Gauge (in, mm)	Pieces per Box	Pieces per Pallet
TXF75K	1.5 in 30 mm	2.5 in 64 mm	0.817 in 20.75 mm	3.0 in 75.0 mm	10	600
TXF76K	1.5 in 30 mm	2.5 in 64 mm	0.93 in 23.62 mm	3.0 in 75.0 mm	10	600
TXF78K	1.5 in 30 mm	2.5 in 64 mm	0.976 in 24.79 mm	3.0 in 75.0 mm	10	600

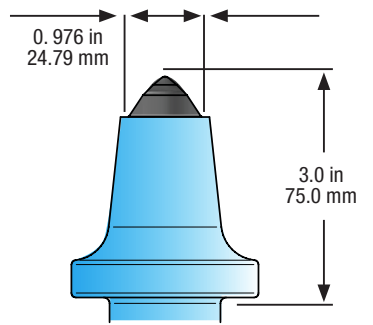
Block Part Number	Bore Hole Diameter (in, mm)	Width (in, mm)	Angle (degrees)	Internal Groove	Pieces per Box	Pieces per Pallet
B38H50S	1.50 in 38.23 mm	2.630 in 66.8 mm	50°	Yes	8	480
B38H50L	1.50 in 38.23 mm	2.630 in 66.8 mm	50°	Yes	8	480
B38HD50S	1.50 in 38.23 mm	3.25 in 82.5 mm	50°	Yes	8	480
B38HD50L	1.50 in 38.23 mm	3.25 in 82.5 mm	50°	Yes	8	480



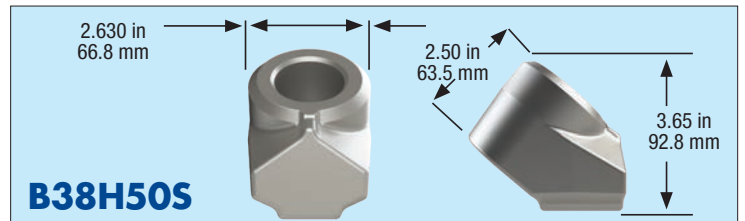
TXF75K



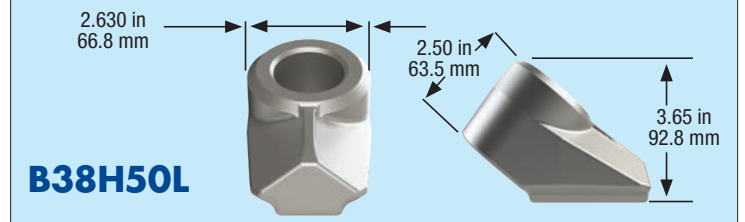
TXF76K



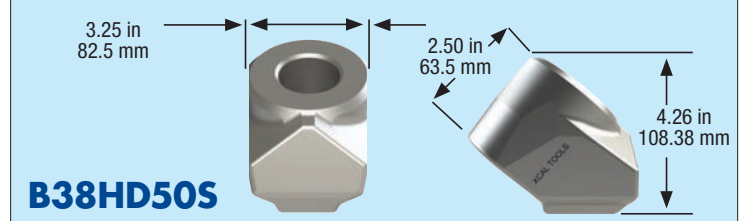
TXF78K



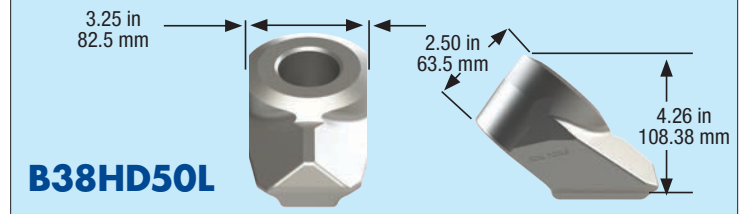
B38H50S



B38H50L



B38HD50S



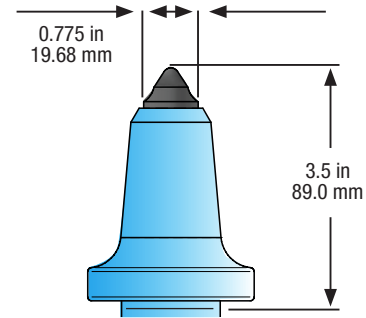
B38HD50L



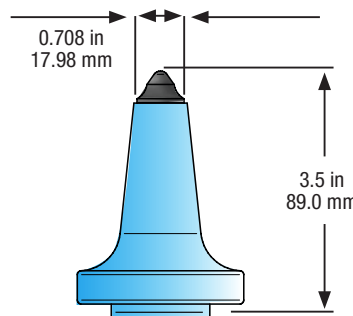
Proudly made in the U.S.A.



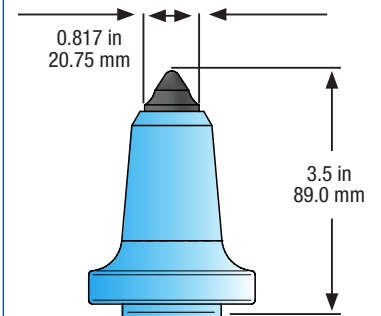
Trenching (Snap Ring Series)



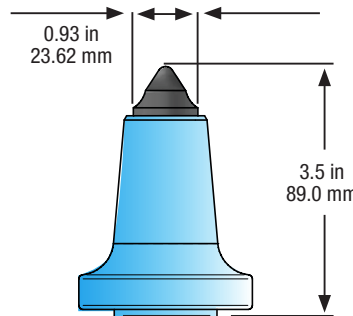
TXV39K



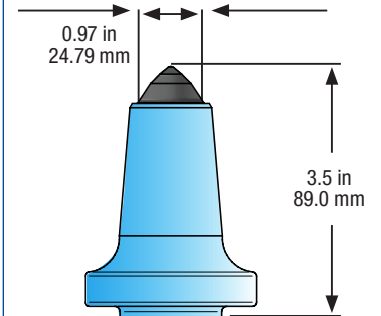
TXV74KP



TXV75K



TXV76K



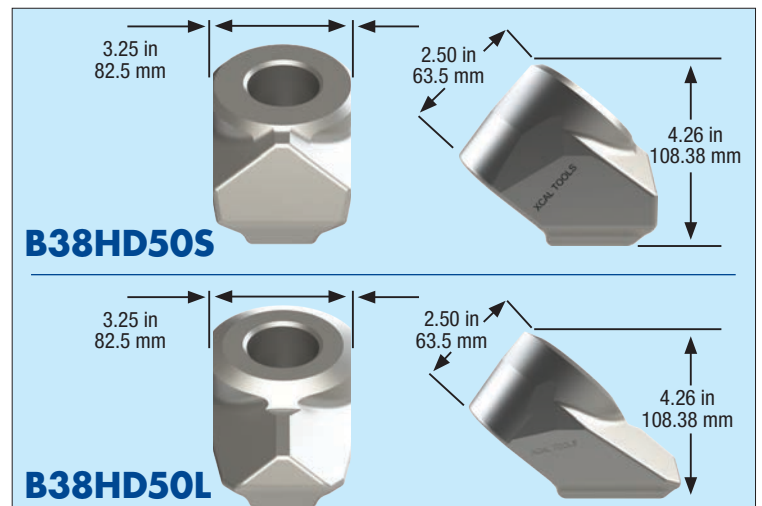
TXV78K

Features:

- Narrow body for efficient penetration
- Wide-flare shoulder provides maximum block and face protection
- Step-shank design for improved strength

Tool Part Number	Shank (in, mm)	Shoulder (in, mm)	Tip Diameter (in, mm)	Gauge (in, mm)	Pieces per Box	Pieces per Pallet
TXV39K	1.5 in 30 mm	2.5 in 64 mm	0.775 in 19.68 mm	3.5 in 89.0 mm	10	600
TXV74KP	1.5 in 30 mm	2.5 in 64 mm	0.708 in 17.98 mm	3.5 in 89.0 mm	10	600
TXV75K	1.5 in 30 mm	2.5 in 64 mm	0.817 in 20.75 mm	3.5 in 89.0 mm	10	600
TXV76K	1.5 in 30 mm	2.5 in 64 mm	0.93 in 23.62 mm	3.5 in 89.0 mm	10	600
TXV78K	1.5 in 30 mm	2.5 in 64 mm	0.97 in 24.79 mm	3.5 in 89.0 mm	10	600

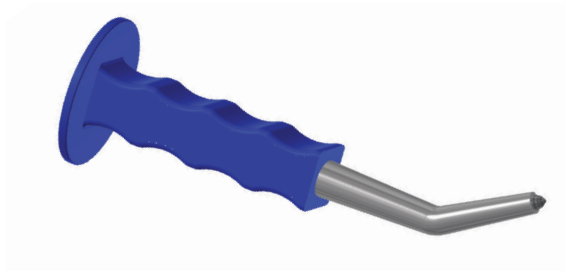
Block Part Number	Bore Hole Diameter (in, mm)	Width (in, mm)	Angle (degrees)	Internal Groove	Pieces per Box	Pieces per Pallet
B38HD50S	1.50 in 38.23 mm	3.25 in 82.5 mm	50°	Yes	8	480
B38HD50L	1.50 in 38.23 mm	3.25 in 82.5 mm	50°	Yes	8	480



Proudly made in the U.S.A.



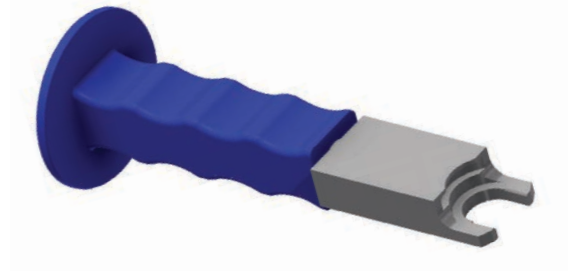
Accessories



CURVED KNOCK OUT PUNCH - Tool remover with carbide tip for extended life.

Part Number - Product Code

JMXA-CKP



INSTALLATION/REMOVAL - For removal of c-clip

Part Number - Product Code

JMXA-CC25

JMXA-CC30



FORKED PULLER - For removal of tools

Part Number - Product Code

JMXA-FP19

JMXA-FP22

JMXA-FP25



WEDGE PULLER - For removal of shank tools with collars

Part Number - Product Code

JMXA-W25

WEDGE PULLER - For removal of step shank tools with collars

Part Number - Product Code

JMXA-W38



SNAP RING PLIERS - For removal of snap rings

Part Number - Product Code

JMXA-SRP86 - Ratchet Snap Ring Pliers

JMXA-SRT86 - Replaceable Tips

JMXA-SSRP86 - Standard Snap Ring Pliers for Retainers



Proudly made in the U.S.A.



Notes





15020 INDUSTRIAL PARK ROAD
BRISTOL, VA USA
(276)-644-3520
WWW.XCALTOOLS.COM